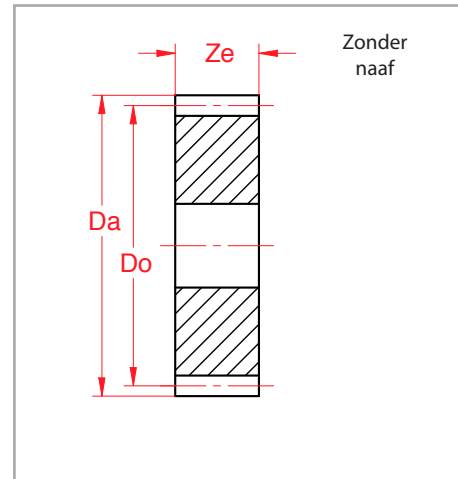
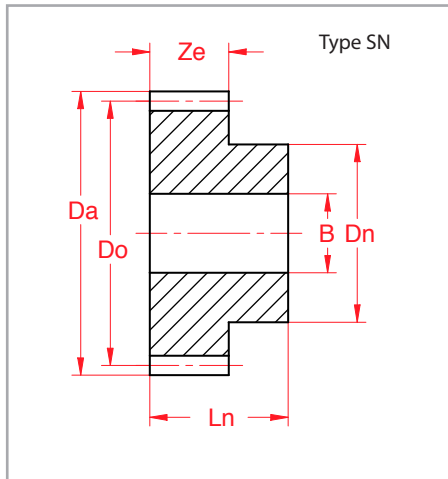


Tandwielen

Moduul 5 - Type SN

Kleine tandbreedte

Kwaliteit 8e25



Materiaal: $\leq \phi 63$ ETG 100 DIN17210
>math>\phi 63</math> Ck45 DIN 1.1191
Drukhoek: 20°
Vertandingskwaliteit: 8e25 DIN 3962/63/67

Art.nummer	z	D_o	D_a	D_n	L_n	B_{H7}	Z_e
4A500120	12	60	70	45	60	20	40
4A500140	14	70	80	55	60	20	40
4A500150	15	75	85	60	60	20	40
4A500160	16	80	90	65	60	20	40
4A500180	18	90	100	70	60	20	40
4A500200	20	100	110	75	60	25	40
4A500240	24	120	130	80	60	25	40
4A500250	25	125	135	80	60	25	40
4A500280	28	140	150	90	60	25	40
4A500300	30	150	160	90	60	25	40
4A500320	32	160	170	100	60	30	40
4A500360	36	180	190	105	60	30	40
4A500400	40	200	210	110	60	30	40
4A500450	45	225	235	110	60	30	40
4A500480	48	240	250	120	60	30	40
4A500500	50	250	260	120	60	30	40
4A500540	54	270	280	130	60	30	40
4A500560	56	280	290	140	60	30	40
4A500600	60	300	310	140	60	30	40
zonder naaf							
4B500150	15	75	85	-	-	20	40
4B500300	30	150	160	-	-	25	40
4B500400	40	200	210	-	-	30	40
4B500480	48	240	250	-	-	30	40
4B500600	60	300	310	-	-	30	40
4B500800	80	400	410	-	-	30	40
4B500900	90°	450	460	-	-	30	40
4B501000	100°	500	510	-	-	40	40