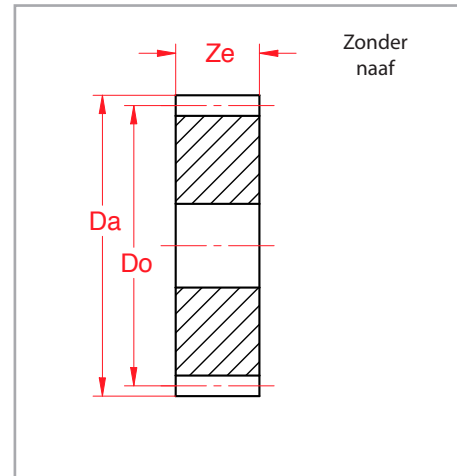
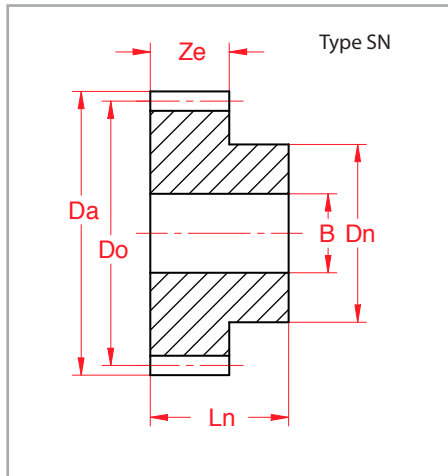


Tandwielen

Moduul 2,5 - Type SN

Kleine tandbreedte

Kwaliteit 8e25



Materiaal: <math><\phi 63</math> ETG 100 DIN17210
>math>>\phi 63</math> Ck45 DIN 1.1191
Vertandingskwaliteit: 8e25 DIN 3967

| Art.nummer | z | D_o | D_a | D_n | L_n | B_{H7} | Z_e |
|-------------|-----|-------|-------|-------|-------|----------|-------|
| 4A250120 | 12 | 30 | 35 | 20 | 37 | 10 | 20 |
| 4A250140 | 14 | 35 | 40 | 25 | 37 | 15 | 20 |
| 4A250150 | 15 | 37,5 | 42,5 | 30 | 37 | 15 | 20 |
| 4A250160 | 16 | 40 | 45 | 30 | 37 | 15 | 20 |
| 4A250180 | 18 | 45 | 50 | 35 | 37 | 15 | 20 |
| 4A250200 | 20 | 50 | 55 | 40 | 37 | 15 | 20 |
| 4A250210 | 21 | 52,5 | 57,5 | 45 | 37 | 15 | 20 |
| 4A250240 | 24 | 60 | 65 | 50 | 37 | 15 | 20 |
| 4A250250 | 25 | 62,5 | 67,5 | 55 | 37 | 15 | 20 |
| 4A250280 | 28 | 70 | 75 | 60 | 37 | 15 | 20 |
| 4A250300 | 30 | 75 | 80 | 65 | 37 | 15 | 20 |
| 4A250320 | 32 | 80 | 85 | 70 | 37 | 20 | 20 |
| 4A250350 | 35 | 87,5 | 92,5 | 70 | 37 | 20 | 20 |
| 4A250360 | 36 | 90 | 95 | 70 | 37 | 20 | 20 |
| 4A250400 | 40 | 100 | 105 | 80 | 37 | 20 | 20 |
| 4A250420 | 42 | 105 | 110 | 80 | 37 | 20 | 20 |
| 4A250450 | 45 | 112,5 | 117,5 | 90 | 37 | 20 | 20 |
| 4A250480 | 48 | 120 | 125 | 90 | 37 | 20 | 20 |
| 4A250500 | 50 | 125 | 130 | 100 | 37 | 20 | 20 |
| 4A250540 | 54 | 135 | 140 | 100 | 37 | 25 | 20 |
| 4A250560 | 56 | 140 | 145 | 100 | 37 | 25 | 20 |
| 4A250600 | 60 | 150 | 155 | 100 | 37 | 25 | 20 |
| 4A250700 | 70 | 175 | 180 | 100 | 37 | 25 | 20 |
| 4A250720 | 72 | 180 | 185 | 100 | 37 | 25 | 20 |
| 4A250800 | 80 | 200 | 205 | 100 | 37 | 25 | 20 |
| zonder naaf | | | | | | | |
| 4B250300 | 30 | 75 | 80 | - | - | 15 | 20 |
| 4B250360 | 36 | 90 | 95 | - | - | 20 | 20 |
| 4B250420 | 42 | 105 | 110 | - | - | 20 | 20 |
| 4B250500 | 50 | 125 | 130 | - | - | 20 | 20 |
| 4B250800 | 80 | 200 | 205 | - | - | 25 | 20 |
| 4B250840 | 84 | 210 | 215 | - | - | 30 | 20 |
| 4B250960 | 96 | 240 | 245 | - | - | 30 | 20 |
| 4B251080 | 108 | 270 | 275 | - | - | 30 | 20 |
| 4B251200 | 120 | 300 | 305 | - | - | 30 | 20 |