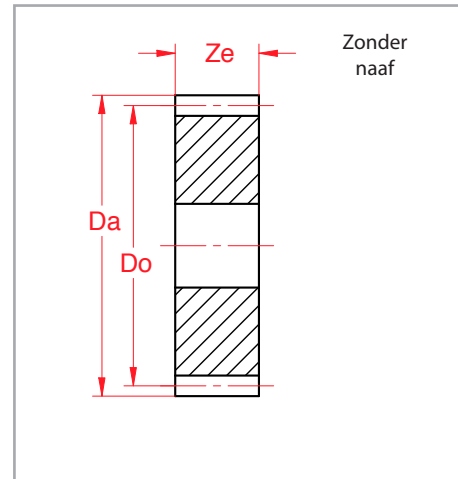
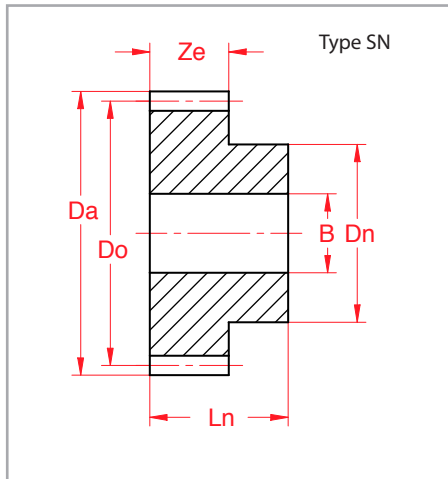


Tandwielen

Moduul 1 - Type SN

Kleine tandbreedte

Kwaliteit 8e25



Materiaal: $\leq \phi 63$ ETG 100 DIN17210
>math>\phi 63</math> Ck45 DIN 1.1191
Verandingskwaliteit: 8e25 DIN 3967

Art.nummer	z	D_o	D_a	D_n	L_n	B_{H7}	Z_e
4A100120	12	12	14	9	16	5	8
4A100140	14	14	16	10	16	5	8
4A100150	15	15	17	12	16	6	8
4A100160	16	16	18	13	16	6	8
4A100180	18	18	20	15	16	8	8
4A100200	20	20	22	17	16	8	8
4A100210	21	21	23	18	16	8	8
4A100240	24	24	26	20	16	8	8
4A100250	25	25	27	22	16	8	8
4A100280	28	28	30	25	16	8	8
4A100300	30	30	32	25	16	8	8
4A100320	32	32	34	25	16	10	8
4A100350	35	35	37	28	16	10	8
4A100360	36	36	38	28	16	10	8
4A100400	40	40	42	30	16	10	8
4A100420	42	42	44	30	16	10	8
4A100450	45	45	47	30	16	10	8
4A100480	48	48	50	35	16	10	8
4A100500	50	50	52	35	16	10	8
4A100540	54	54	56	40	16	10	8
4A100560	56	56	58	40	16	10	8
4A100600	60	60	62	50	16	10	8
4A100700	70	70	72	50	16	10	8
4A100720	72	72	74	50	16	10	8
4A100750	75	75	77	50	16	10	8
zonder naaf							
4B100960	96	96	98	-	-	12	8
4B101000	100	100	102	-	-	12	8
4B101200	120	120	122	-	-	12	8