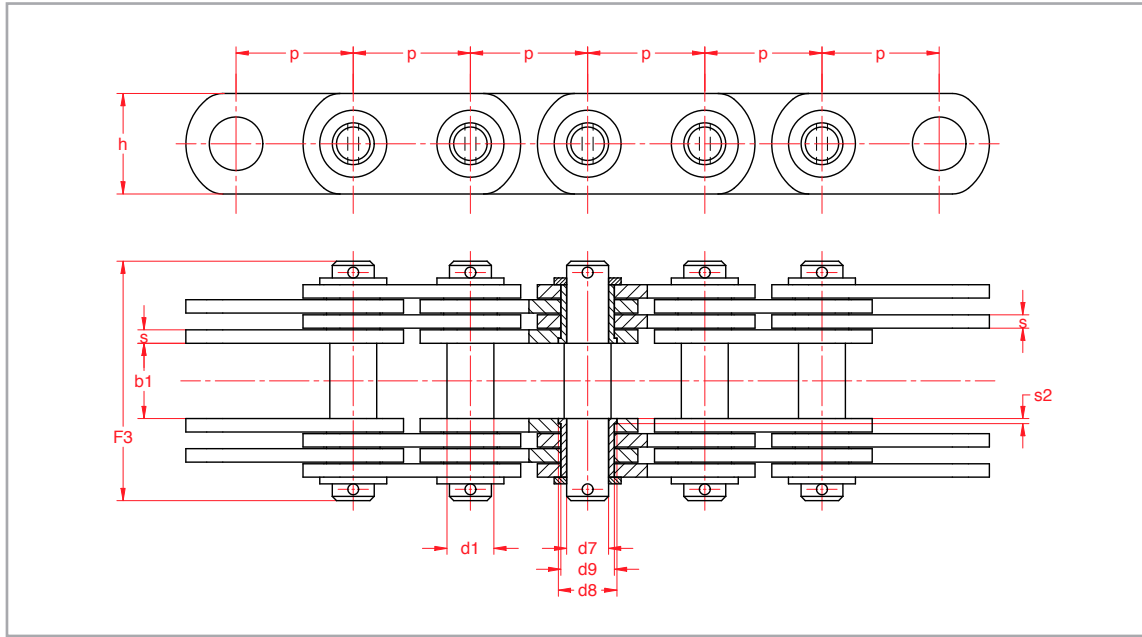


# Trekbankketting

Din 8157



Art.Nr.	p mm	b <sub>1</sub> mm	d <sub>1</sub> mm	d <sub>7</sub> mm	d <sub>8</sub> mm	d <sub>9</sub> mm	F <sub>3</sub> mm	h mm	s <sub>1</sub> mm	splitpen DIN 94	f cm <sup>2</sup>	F <sub>B</sub> N	q kg/m
15610700	70	45	28	25	35	32	143	60	8	6,3 x 40	8	380000	35
15610900	90	60	36	32	44	40	183	70	10	8 x 50	13	600000	50
15611100	110	70	45	40	52	48	211	90	12	8 x 56	19	960000	75
15611200	120	80	50	45	58	55	248	90	15	10 x 63	27	1200000	93
15611600	160	100	60	55	70	65	320	110	20	10 x 71	44	1900000	140
15611800	180	120	80	70	90	85	385	140	25	13 x 90	70	3000000	250
15612400	240	140	90	80	100	95	456	180	30	13 x 100	96	4800000	345
15612800	280	160	110	100	120	115	481	220	30	13 x 125	120	6000000	435

