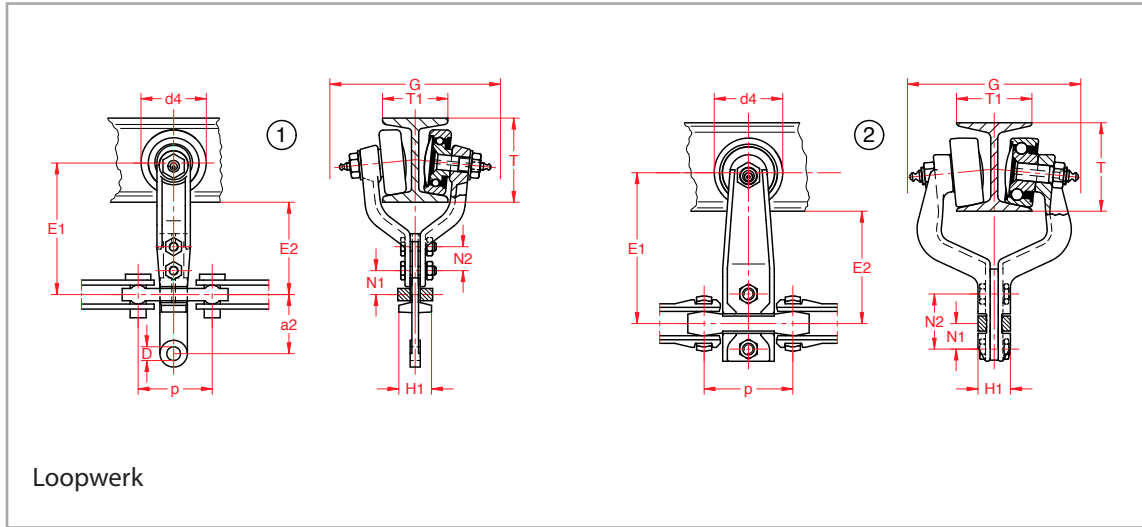
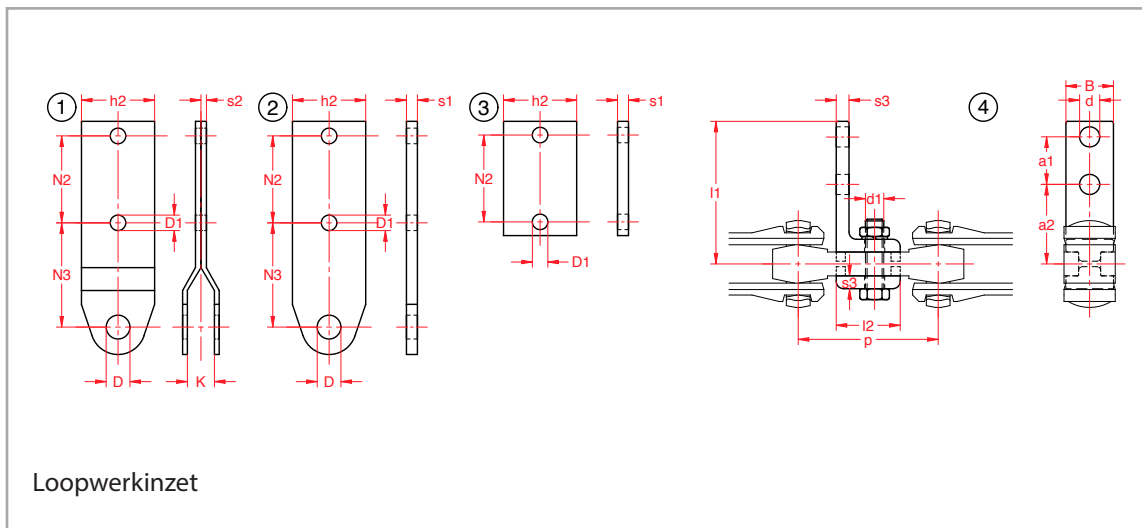


Insteekketting



| Art. Nr. | uitv | p mm | a ₂ mm | d ₄ mm | D mm | E ₁ mm | E ₂ mm | G mm | H ₁ mm max. | N ₁ mm | N ₂ mm | T x T ₁ mm | of | T x T ₁ mm | F _z kg | q kg/st |
|----------|------|---------|----------------------|----------------------|---------|----------------------|----------------------|---------|------------------------------|----------------------|----------------------|--------------------------|----|--------------------------|----------------------|------------|
| 2 | 2 | 76,2 | ---- | 59,0 | ---- | 99 | 63,5 | 120 | 30 | 22 | 47,5 | 76,2 x 59,2 | | 100 x 50 | 250 | 1,45 |
| 2 | 2 | 100,0 | ---- | 82,5 | ---- | 128 | 81,0 | 170 | 38 | 21 | 54,0 | 101,6 x 67,5 | | 120 x 58 | 500 | 2,80 |
| 2 | 2 | 101,6 | ---- | 82,5 | ---- | 128 | 81,0 | 170 | 38 | 21 | 54,0 | 101,6 x 67,5 | | 120 x 58 | 500 | 2,80 |



| Art. Nr. | p mm | a ₁ mm | a ₂ mm | B mm | d mm | l ₁ mm | l ₂ mm | d ₁ * mm | s ₃ mm | D mm | D ₁ mm | h ₂ mm min. | K mm | N ₂ mm | N ₃ mm | s ₁ mm | s ₂ mm |
|----------|---------|----------------------|----------------------|---------|---------|----------------------|----------------------|------------------------|----------------------|---------|----------------------|------------------------------|---------|----------------------|----------------------|----------------------|----------------------|
| | 76,2 | - | 43,5 | 26 | 11 | 50 | 35 | M10x40* | 7 | 13 | 8,5 | 40 | 14 | 47,5 | 57 | 6 | 3 |
| | 76,2 | 26 | 43,5 | 26 | 11 | 78 | 35 | M10x40* | 7 | - | - | - | - | - | - | - | - |
| | 100,0 | 30 | 50,0 | 35 | 11 | 88 | 50 | M12x45* | 8 | 13 | 11,0 | 50 | 18 | 54,0 | 52 | 10 | 5 |
| | 101,6 | 30 | 50,0 | 35 | 11 | 88 | 50 | M12x45* | 8 | 13 | 11,0 | 50 | 18 | 54,0 | 52 | 10 | 5 |
| | 152,4 | 35 | 54,3 | 48 | 13 | 100 | 80 | M16x60* | 10 | - | - | - | - | - | - | - | - |

*Bout niet meegeleverd