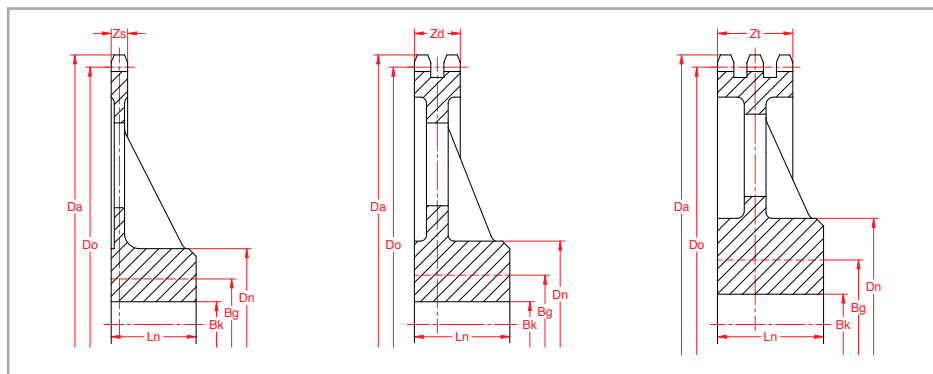


Kettingwielen 28B-1/2/3

1 3/4" x 1 1/4" (mat. Gietijzer G22)



			Simplex $z_s = 29,4$			Duplex $z_d = 88,4$			Triplex $z_i = 148$		
Z	D_o	D_a	D_n	L_n	B_k/B_g	D_n	L_n	B_k/B_g	D_n	L_n	B_k/B_g
57	-	-	-	-	-	260	127	40/140	280	140	40/150

