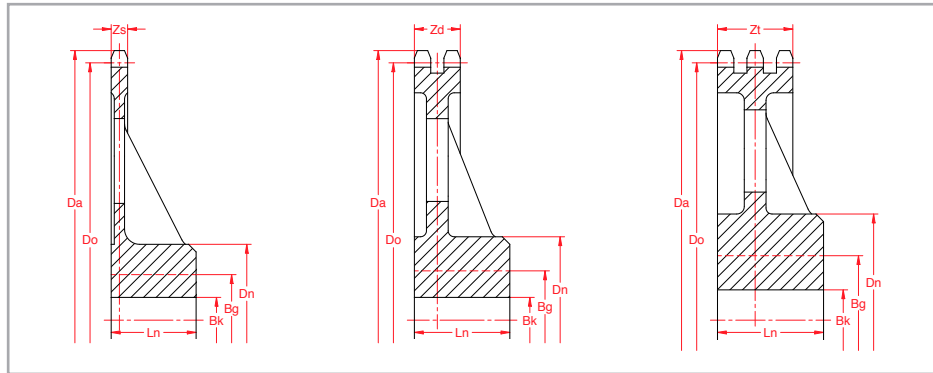


Kettingwielen 24B-1/2/3

1 1/2" x 1" (mat. Gietijzer G22)



Z	D _o	D _a	Simplex z _s = 23			Duplex z _d = 71,4			Triplex z _t = 119,7		
			D _n	L _n	B _k /B _g	D _n	L _n	B _k /B _g	D _n	L _n	B _k /B _g
45	546,20	562,0	140	90	45/85	180	100	45/100	200	150	63/120
57	691,63	707,5	160	100	45/95	200	110	55/120	200	150	70/120
76	921,98	939,0	170	100	45/100	220	120	55/130	230	150	55/130
95	1152,33	1169,0	200	125	50/120	220	140	55/130	250	180	40/140

