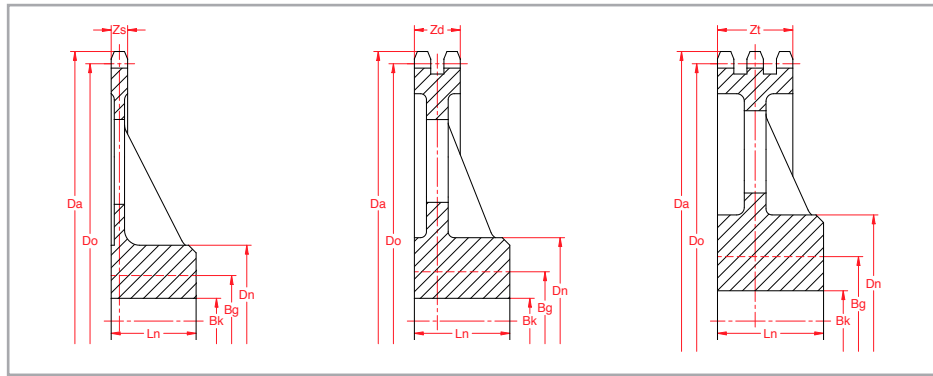


Kettingwielen 12B-1/2/3

3/4" x 7/16" (mat. Gietijzer G22)



Z	D_o	D_a	Simplex $z_s = 10,8$			Duplex $z_d = 30,3$			Triplex $z_t = 49,7$		
			D_n	L_n	B_k/B_g	D_n	L_n	B_k/B_g	D_n	L_n	B_k/B_g
38	230,69	238,9	100	56	24/60	110	63	30/60	140	70	30/60
45	273,10	283,2	100	56	24/60	110	63	30/60	140	70	30/80
57	345,81	355,9	100	56	30/60	120	63	30/70	140	70	40/80
76	460,99	471,1	100	56	30/60	135	63	30/75	160	75	40/85
95	576,17	586,2	100	65	30/60	135	70	30/75	170	82	40/95
114	691,36	701,4	100	65	30/60	135	70	45/75	170	82	50/95

