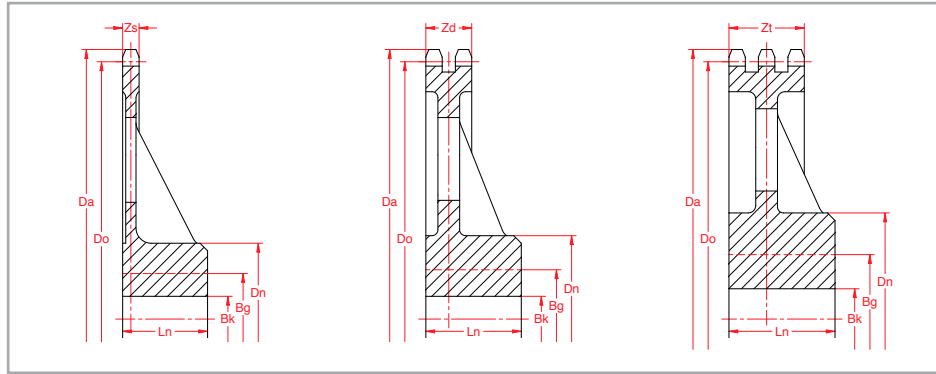


# Kettingwielen 10B-1/2/3

$\frac{5}{8}$ " x  $\frac{3}{8}$ " (mat. Gietijzer G22)



Z	D <sub>o</sub>	D <sub>a</sub>	Simplex z <sub>s</sub> = 8,9			Duplex z <sub>d</sub> = 25,5			Triplex z <sub>t</sub> = 42,1		
			D <sub>n</sub>	L <sub>n</sub>	B <sub>k</sub> /B <sub>g</sub>	D <sub>n</sub>	L <sub>n</sub>	B <sub>k</sub> /B <sub>g</sub>	D <sub>n</sub>	L <sub>n</sub>	B <sub>k</sub> /B <sub>g</sub>
38	192,24	199,1	80	40	24/45	100	50	30/60	100	60	32/60
45	227,58	236,0	80	40	24/25	100	50	30/60	100	60	32/60
57	288,18	296,6	90	45	24/50	100	56	30/60	100	63	32/60
76	384,16	392,5	90	50	24/50	100	63	30/60	110	67	35/65
95	480,14	488,5	100	56	24/60	110	63	30/65	125	70	35/70
114	576,13	584,5	100	56	24/60	125	70	30/70	125	80	35/70

