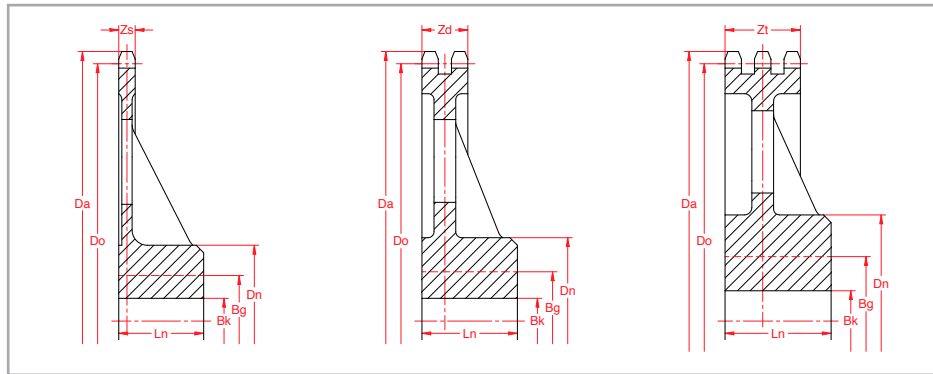


# Kettingwielen 08B-1/2/3

1/2" x 5/16" (mat. Gietijzer G22)



Z	D <sub>o</sub>	D <sub>a</sub>	Simplex z <sub>s</sub> = 7,1			Duplex z <sub>d</sub> = 21			Triplex z <sub>t</sub> = 34,9		
			D <sub>n</sub>	L <sub>n</sub>	B <sub>k</sub> /B <sub>g</sub>	D <sub>n</sub>	L <sub>n</sub>	B <sub>k</sub> /B <sub>g</sub>	D <sub>n</sub>	L <sub>n</sub>	B <sub>k</sub> /B <sub>g</sub>
38	153,80	158,6	70	40	20/40	90	50	24/50	100	60	24/60
45	182,07	188,6	70	40	24/40	90	50	24/50	100	60	24/60
57	230,54	237,1	70	40	24/40	90	50	24/50	100	60	24/60
76	307,33	313,9	70	40	24/45	100	56	24/60	100	60	24/60
95	384,11	390,7	80	45	24/45	100	56	24/60	120	67	24/70
114	460,90	467,4	80	45	24/45	100	63	24/60	120	67	24/70

