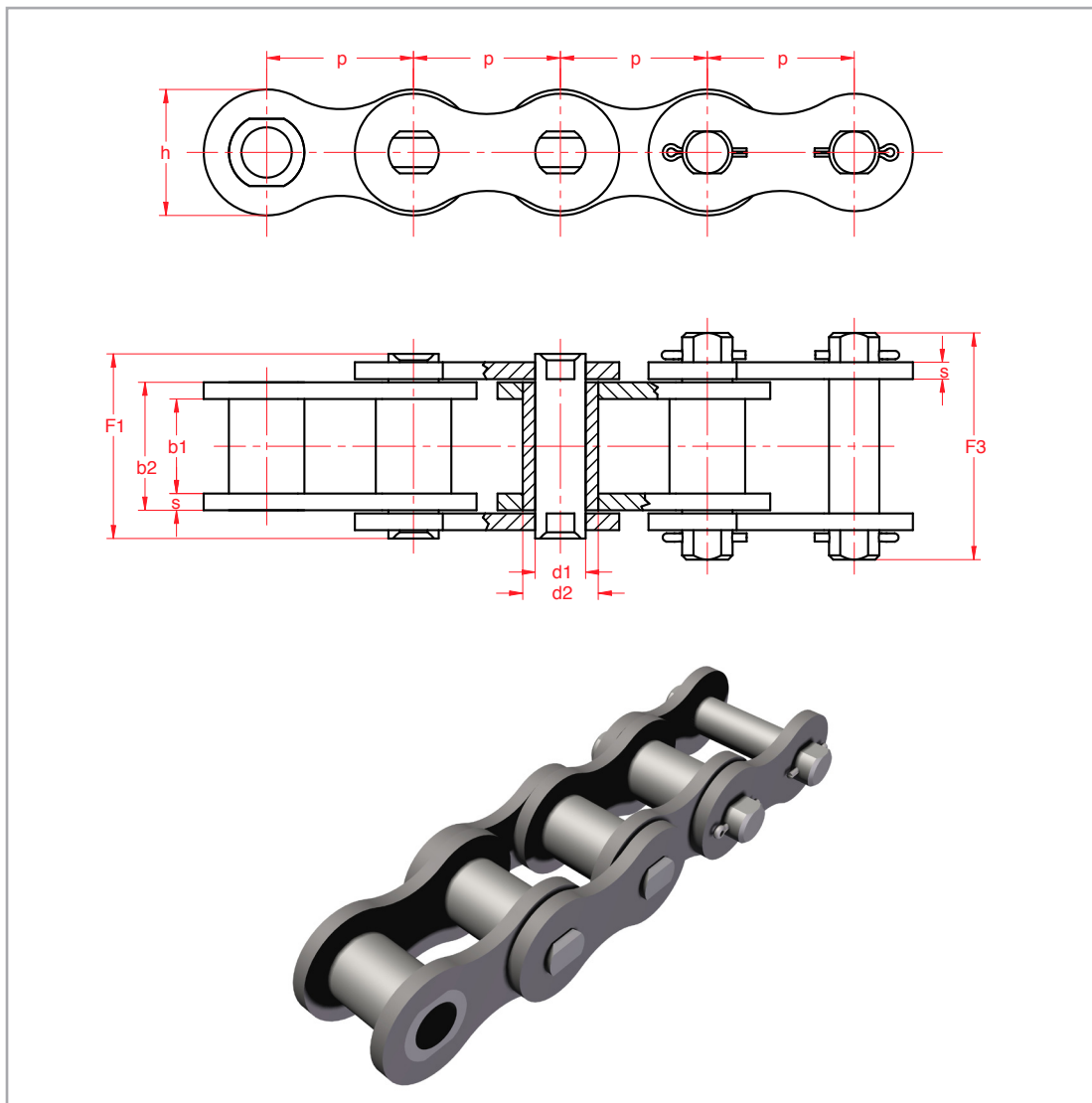


# Transmissieketting

Bussenketting - DIN 8164



Type	Art.Nr.	p mm	b <sub>1</sub> mm	b <sub>2</sub> mm	d <sub>1</sub> mm	d <sub>2</sub> mm	F <sub>1</sub> mm	F <sub>2</sub> mm	h mm	s mm	f cm <sup>2</sup>	F <sub>B</sub> N	q kg/m
Tk15	15501500	15	14	18,5	6	9	25,3	30,0	14	2	1,11	12500	1,2
Tk20	15502000	20	16	22,5	8	12	32,7	38,2	19	3	1,84	25000	2,1
Tk25	15502500	25	18	24,5	10	15	36,1	43,2	24	3	2,50	31500	2,6
Tk30	15503000	30	20	28,5	11	17	42,1	50,2	28	4	3,19	40000	4,0
Tk35	15503500	35	22	30,5	12	18	44,0	54,0	30	4	3,72	50000	4,3
Tk40	15504000	40	25	35,5	14	20	52,0	61,0	35	5	5,04	63000	6,0
Tk45	15504500	45	30	42,5	16	22	61,0	70,0	40	6	6,88	80000	7,6
Tk50	15505000	50	35	47,5	18	26	66,0	79,0	44	6	8,64	100000	9,0
Tk55	15505500	55	45	61,5	20	30	85,5	99,0	49	8	12,60	125000	13,6
Tk60	15506000	60	50	66,5	22	32	96,0	104	55	8	14,96	160000	14,9
Tk65	15506500	65	55	72,0	26	36	97,5	113	61	8	18,98	200000	18,9
Tk70	15507000	70	65	86,0	30	42	117	130	67	10	26,10	250000	24,7
Tk80	15508000	80	70	96,0	32	44	130	148	75	12	30,72	315000	31,0
Tk90	15509000	90	80	106	36	50	140	160	85	12	38,16	400000	41,8
Tk100	15510000	100	90	116	42	56	152	169	95	12	48,72	500000	48,4